

CYLINDER (WATCH) CRYSTALS

ISSUE 11; 1 NOVEMBER 2008 - RoHS 2002/95/EC

Outline

Holder Style

- Watch crystals are press sealed. Two sizes are available: 3x8mm and 2x6mm nominal

General Specifications

- Standard Load Capacitances (CL): 6pF & 12.5pF
- Drive Level: 1.0μW max
- Ageing ±5ppm max per year
- Static Capacitance (C0): 1.6pF typ

Packaging

- Loose in bulk pack

Standard Frequency Tolerance

- ±20ppm

Operating Temperature Ranges

- 10 to 60°C

Storage Temperature Range

- 40 to 85°C

Environmental Specification

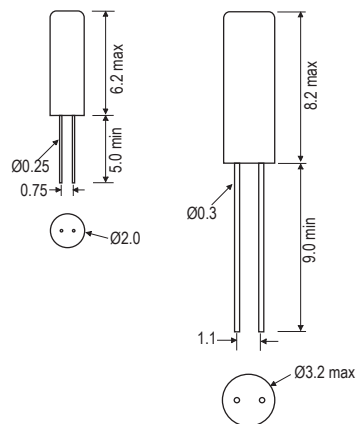
- Shock: Unit dropped three times from a height of 75cm onto a hard wooden board: $Df/fo = \pm 5ppm$

Marking

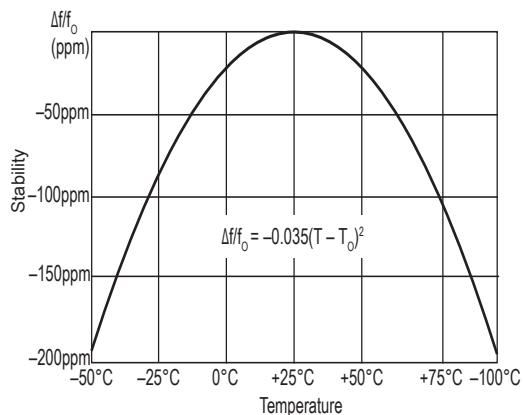
- No marking or frequency only (may be truncated)

Minimum Order Information Required

- Frequency + Holder + Circuit Condition



Typical Frequency Stability Characteristics



Electrical Specification - maximum limiting values

Frequency Range	Frequency Tolerance @25°C ±5°C	Operating Temperature Range	Typical Frequency Stability Coefficient	ESR Max	Vibration Mode	Package Type
32.768kHz	±20ppm	-10 to 60°C	-0.035/°C²	50kΩ	Fundamental	2x6mm & 3x8mm

QUARTZ CRYSTALS